



Installation instructions for PZ4AL-01276-00
Under Run Protective Shield Transmission Case

LEXUS LX 570



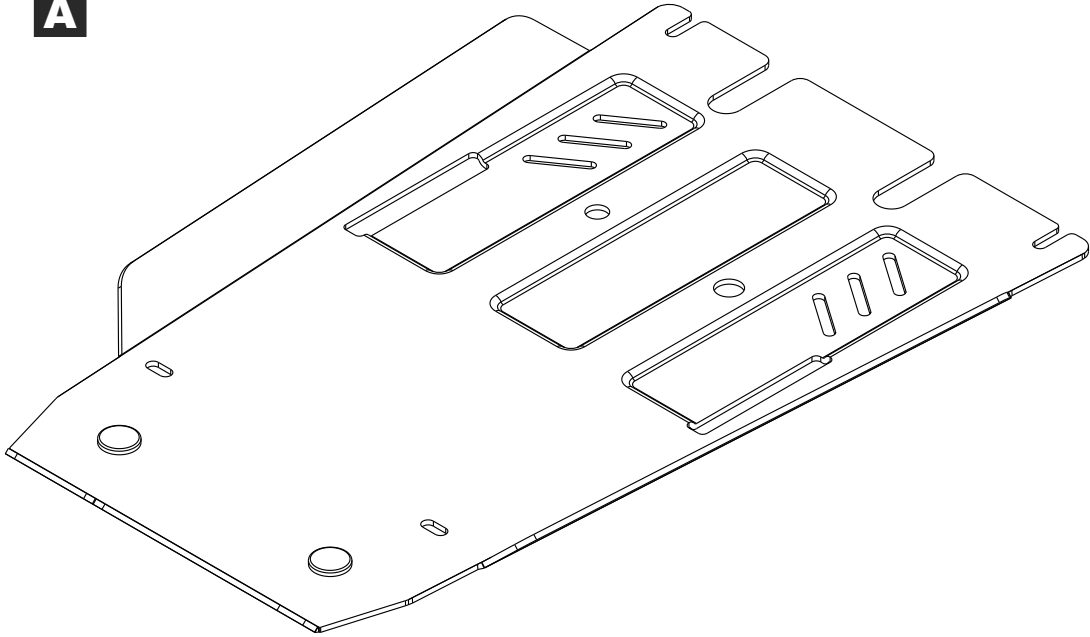
TOYOTA LAND CRUISER 200



Model Year	LX 570 - 2010 - 2011	LC200 - 2007	LC200MC - 2012
Vehicle Code	URJ201L-GNTGKW	UZJ200L-GNAEKW VDJ200L-GNTEZW	URJ202L-GNTEKW VDJ200L-GNTEZW
Part Number		Aluminium: PZ4AL-01276-00	
 Weight		Aluminium: 6,5 kg	
 Installation Time		10 min	
Manual reference number		AIM 001-098-1	

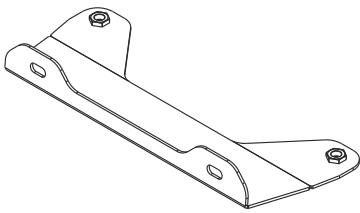
Part number: PZ4AL-01276-00

A



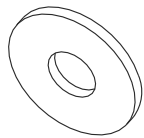
PZ4AL-01276-60

B



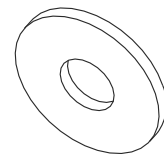
X1

C1



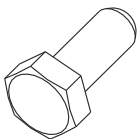
X2 $\varnothing 8$

C2



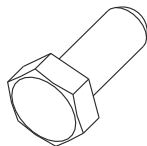
X2 $\varnothing 10$

D1

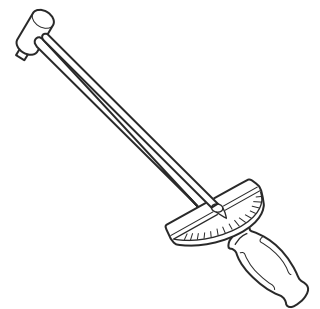
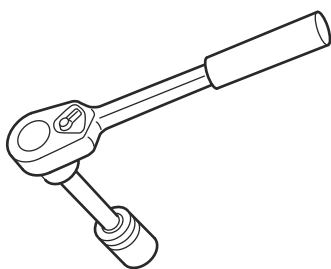


2 x M 8x20

D2



2 x M 10x30



Part number:
PZ4AL-01276-00

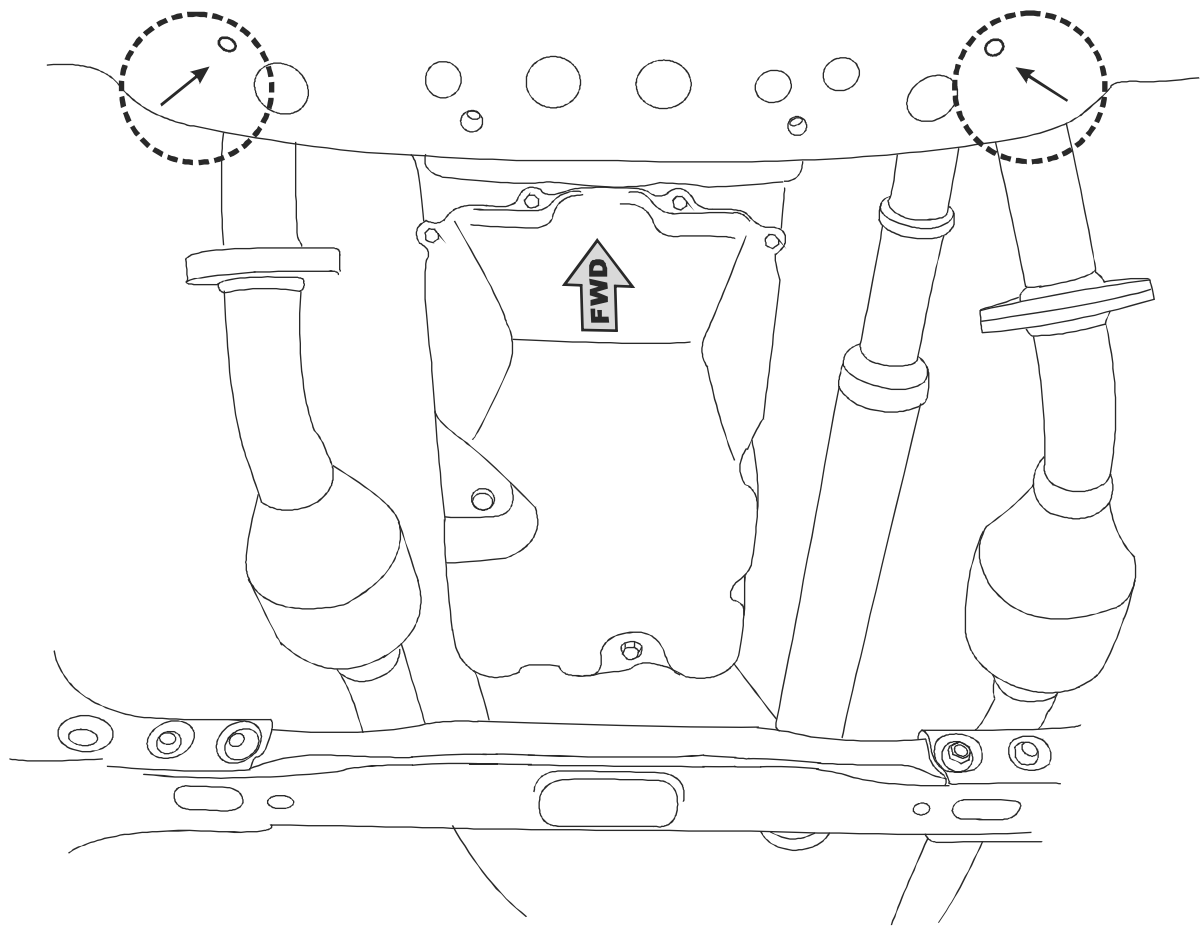
Issue:
1

Date:
01/10/12

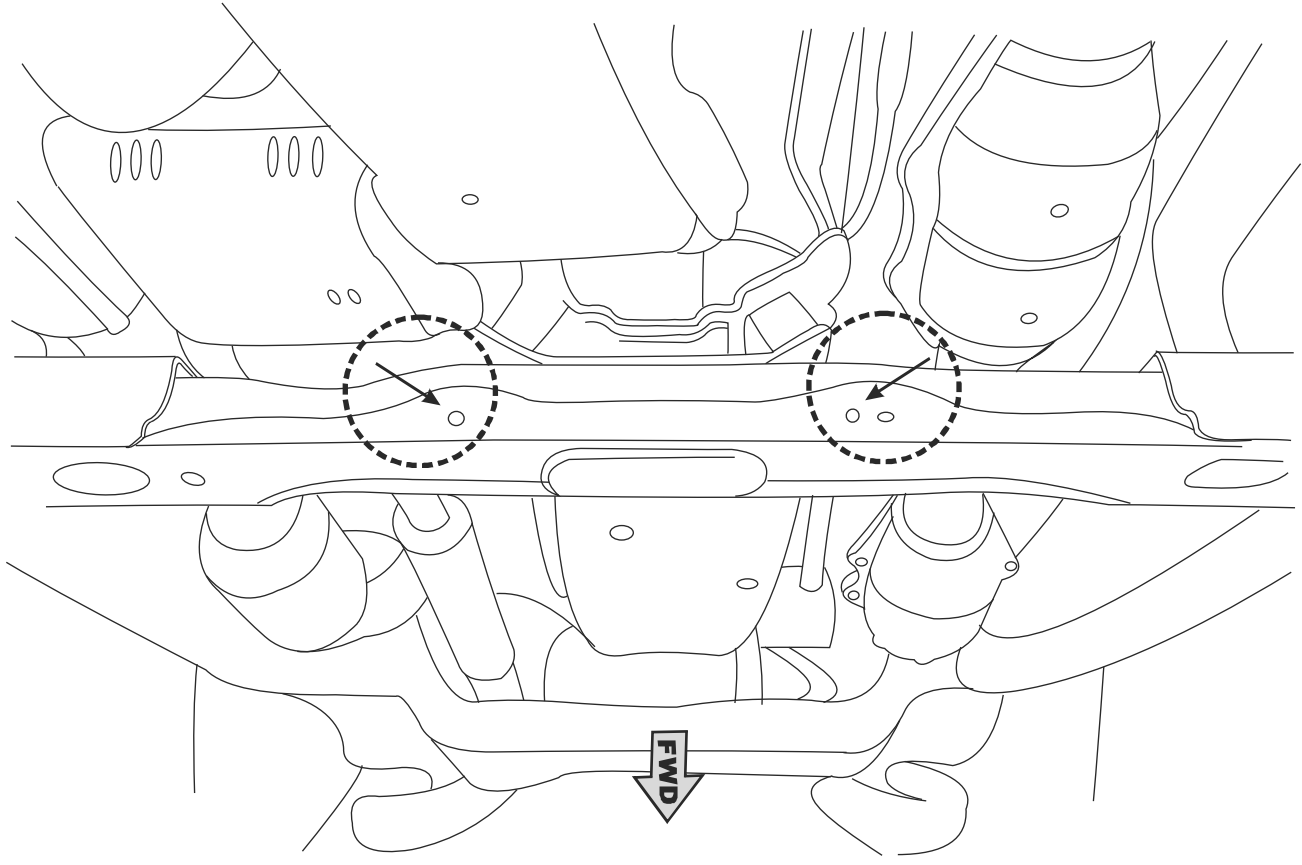
Manual reference number:
AIM 001-098-1

Page:
2/5

1



2



Part number:
PZ4AL-01276-00

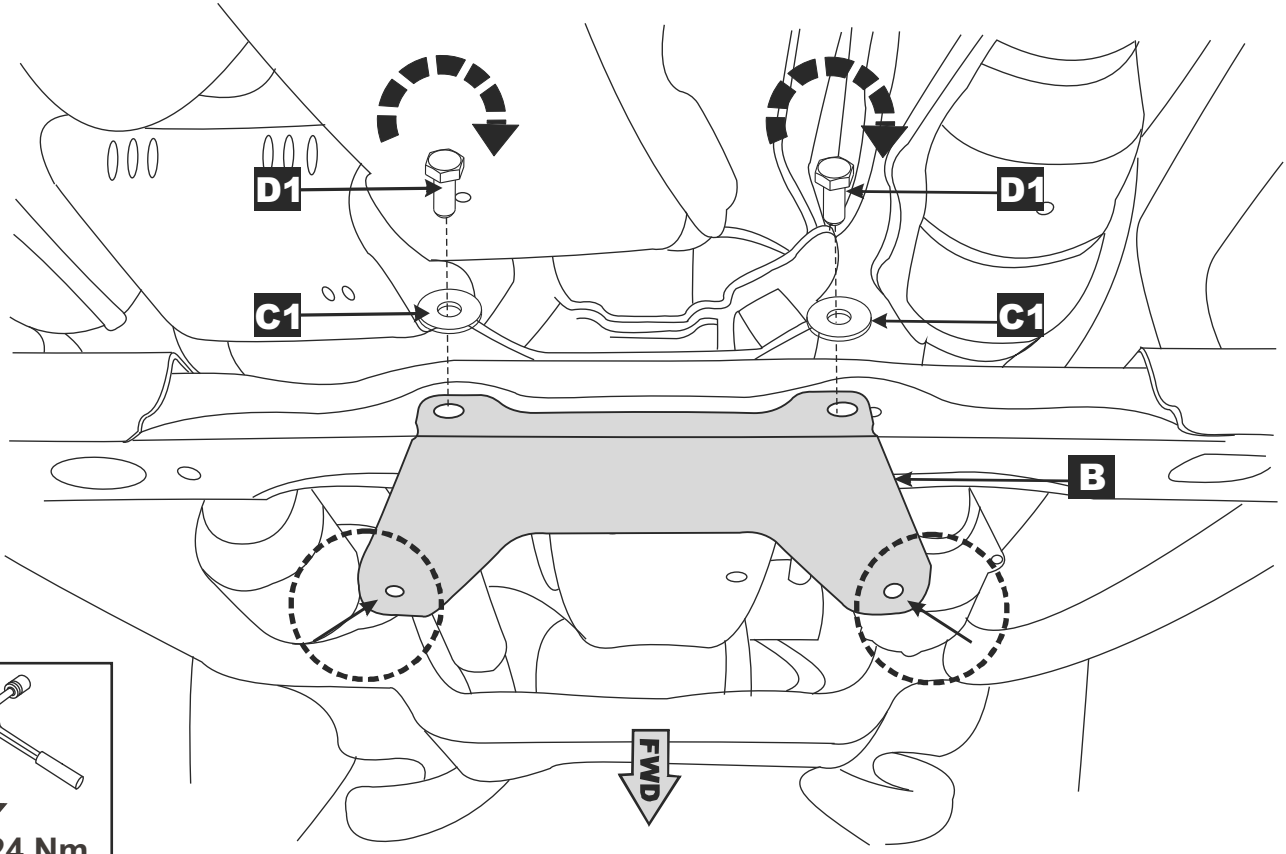
Issue:
1

Date:
01/10/12

Manual reference number:
AIM 001-098-1

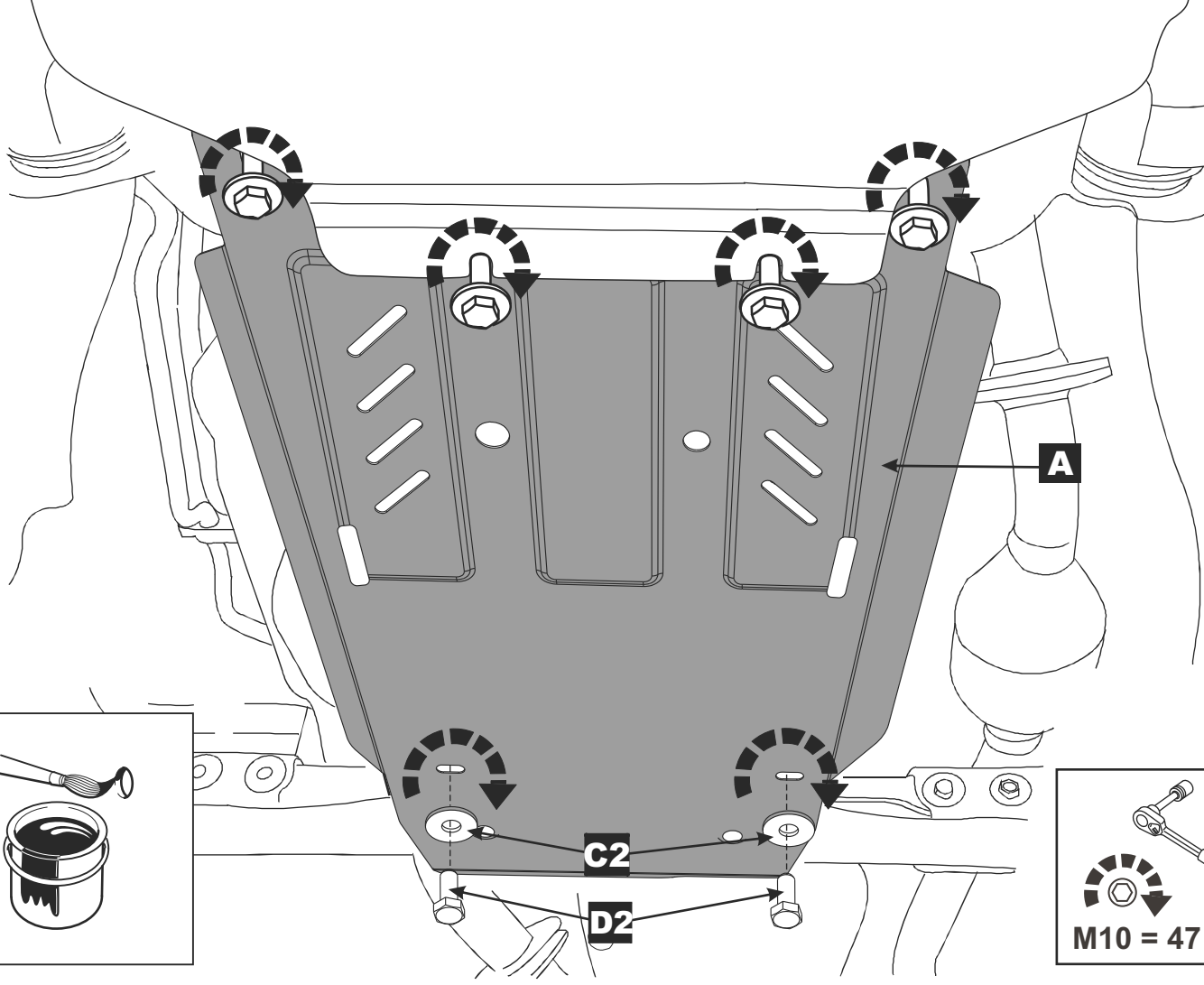
Page:
3/5

3



M8 = 24 Nm

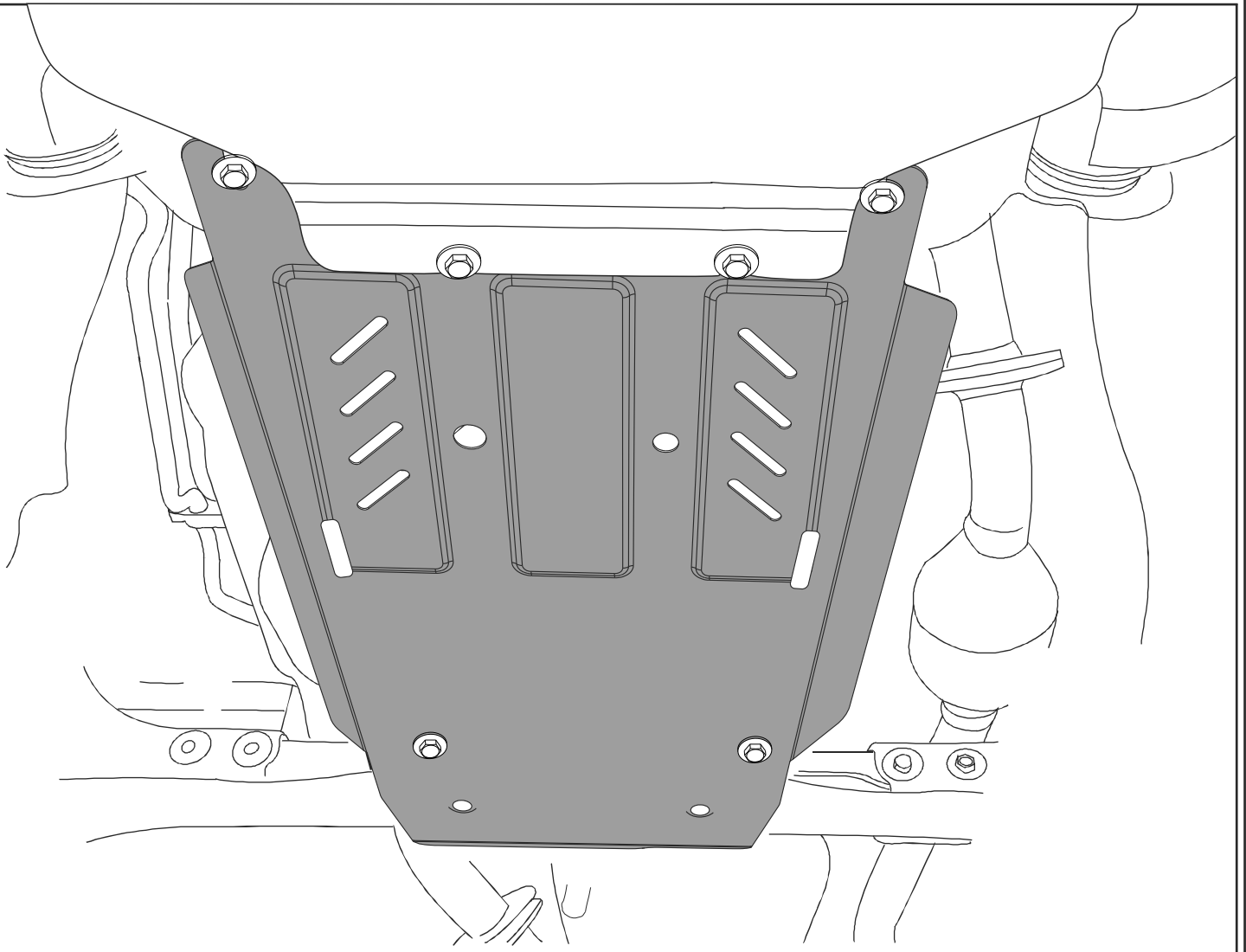
4



M10 = 47 Nm

Part number: PZ4AL-01276-00	Issue: 1	Date: 01/10/12	Manual reference number: AIM 001-098-1	Page: 4/5
--------------------------------	-------------	-------------------	---	--------------

5



Part number:
PZ4AL-01276-00

Issue:
1

Date:
01/10/12

Manual reference number:
AIM 001-098-1

Page:
5/5